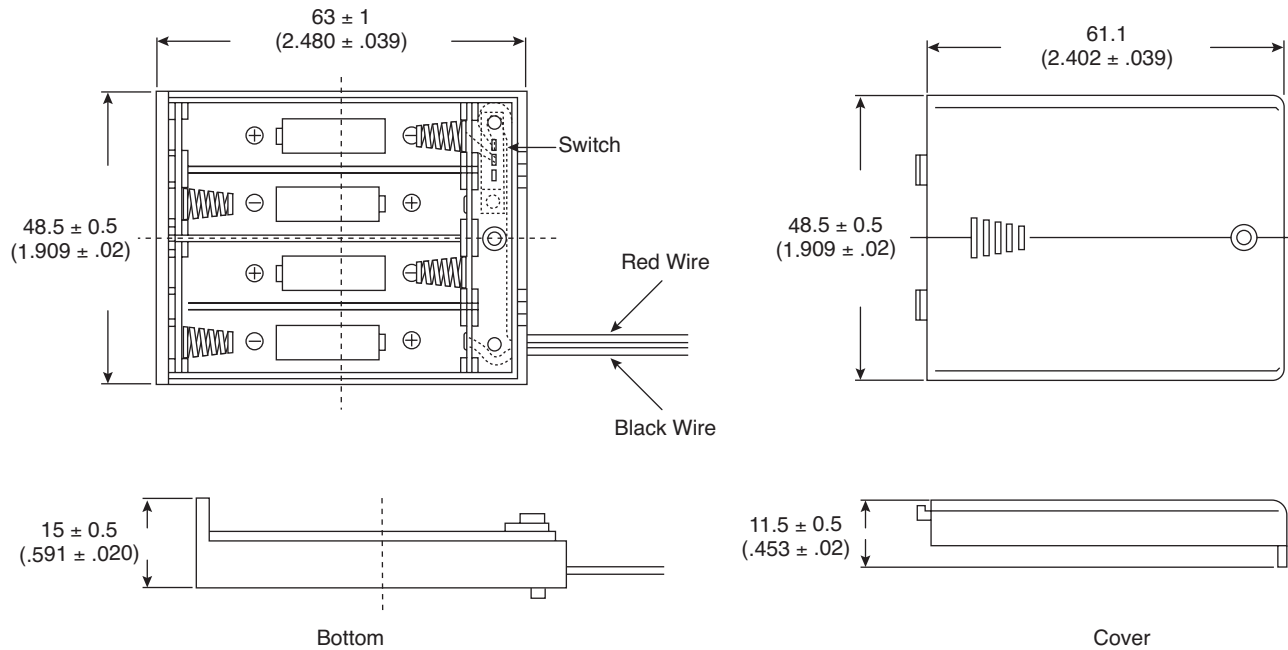


4 “AAA” Battery Holder with Leads, Cover, and Switch

12BH441/CS-GR

Date Last Revised: 06-21-07



Dimensions: mm (in.)

SPECIFICATIONS	
Wire:	AWG#26, Black and Red 150mm ± 5mm
	strip and tin 5mm ± 1mm
Material:	ABS Resin, black color
Spring:	0.6mm 65C spring wire
RoHS Compliant	

Available from Mouser Electronics
1-800-346-6873 / www.mouser.com

EPD-200663